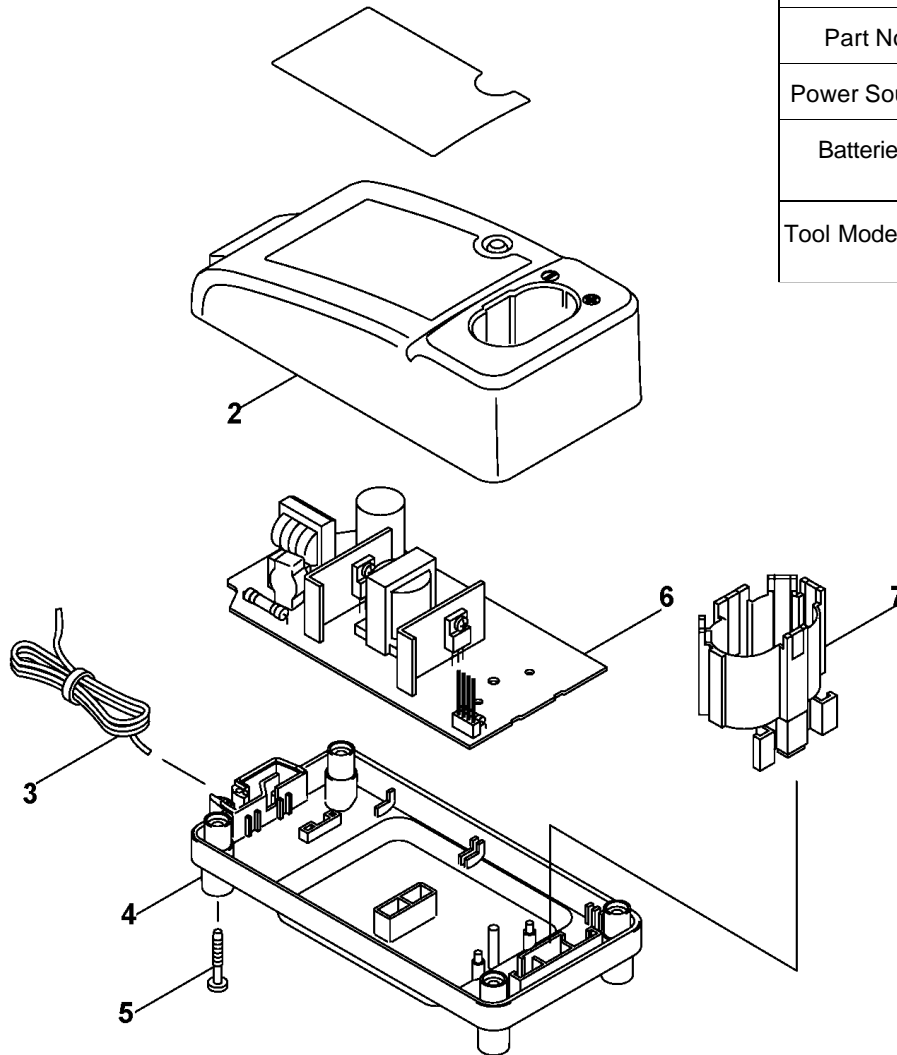




CHARGER For 7.2V ~ 14.4V Ni-Cad & Ni-MH 1.3 ~ 3.0AH Batteries Model DC1414 (MJ)

Model No.	DC1414
Part No.	DC1414
Power Source	A.C. Only 115V
Batteries	For 7.2V ~ 14.4 V, 1.3Ah ~ 3.0Ah Ni-Cad or Ni-MH Batteries
Tool Model No.	All 7.2V ~ 14.4V Cartridge Battery Tool Models



Item No.	Part No.	No. Used	Description
2	153744-2	1	Charger Case Com
3	667982-5	1	Cord With Plug 2P-18-2.0
4	418339-1	1	Charger Case Cover
5	265999-8	4	Tapping Screw 4X25
6	631585-1	1	Circuit Board (Includes 647321-5 - Varistor & 652727-4 - Fuse)
7	418477-9	1	Battery Box